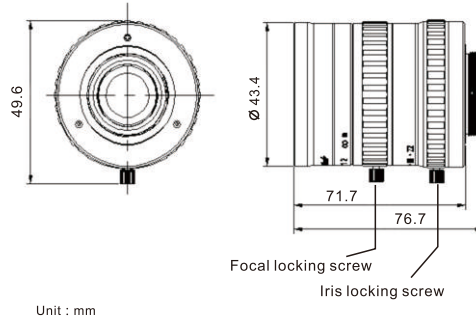




Pomeas 5 Mega Pixels FA/Machine Vision Lens **PMS-75MC5M**

2/3"	5 Mega	MANUAL	C-mount	METAL
Max. Sensor Size	5 Mega Pixels	Manual Iris	C-mount	Metal Material



- 1.Support 5 MP 2/3" camera
2. Focus and iris locking screw to ensure stable focusing
3. Low imaging distortion
4. Compact structure,excellent optical performance

Code	PMS-75MC5M	
Resolution	5 MP;160lp/mm (center) 125lp/mm (corner)	
Focal Length	75mm	
Iris Range	F2.0-F22	
Max. Sensor Size	2/3" (8.8mm X 6.6mm ϕ 11mm)	
Field of View (Diagonal x Horizontal x Verticle)	2/3"	8.4°x6.7°x5.0°
	1/2"	6.1°x4.9°x3.7°
Focusing Range	0.9m- ∞	
Object Dimensions	123.2mm X 98.5mm X 73.9mm	
Control	Focus	Manual
	Iris	Manual
Distortion	2/3"	0.04%@y=5.5mm
	1/2"	0.02%@y=4.0mm
Back Focal Length(in air)	13.76mm	
Mount	C-mount	
Filter Thread	M40.5x0.5mm	
Working Temperature	-10°C ~ +50°C	
Weight	223.0g	