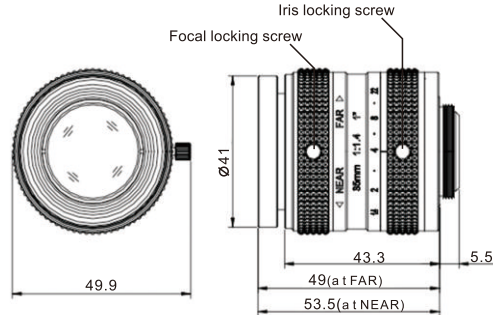




Pomeas 5 Mega Pixels FA/Machine Vision Lens PMS-35LC5M

1"	5 Mega	MANUAL	C-mount	METAL
Max. Sensor Size	5 Mega Pixels	Manual Iris	C-mount	Metal Material



Unit : mm

- 1.Support 5 MP 1" camera
2. Focus and iris locking screw to ensure stable focusing
3. Low imaging distortion
4. Compact structure,excellent optical performance

Code	PMS-35LC5M	
Resolution	5 MP ;160lp/mm (center) 100lp/mm (corner)	
Focal Length	35mm	
Iris Range	F1.4-F22	
Max. Sensor Size	1" (12.8mm X 9.6mm Ø16mm)	
Field of View (Diagonal X Horizontal X Verticle)	1"	22.7°×18.2°×14.1°
	2/3"	16.1°×12.9°×9.6°
Control	Focus	Manual
	Iris	Manual
Distortion	1"	0.27%@y=8.0mm
	2/3"	-0.06%@y=5.5mm
Effective Image Dimension	16mm	
Back Focal Length(in air)	12.83mm	
Mount	C-mount	
Filter Thread	M39.0×0.5mm	
Working Temperature	-10°C ~ +50°C	