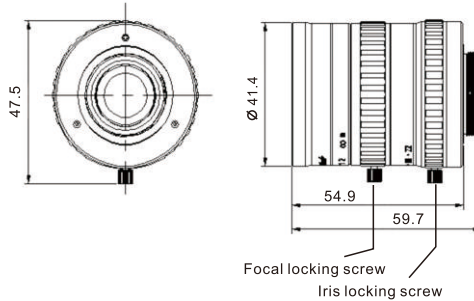


<b>2/3"</b>	<b>5 Mega</b>	<b>MANUAL</b>	<b>C-mount</b>	<b>METAL</b>
Max. Sensor Size	5 Mega Pixels	Manual Iris	C-mount	Metal Material



Unit : mm

- 1.Support 5 MP 2/3" camera
2. Focus and iris locking screw to ensure stable focusing
3. Low imaging distortion
4. Compact structure,excellent optical performance

<b>Code</b>	PMS-25MC5M	
<b>Resolution</b>	5 MP;160lp/mm (center) 125lp/mm (corner)	
<b>Focal Length</b>	25mm	
<b>Iris Range</b>	F1.4-F22	
<b>Max. Sensor Size</b>	2/3" (8.8mm X 6.6mm $\phi$ 11mm)	
<b>Field of View</b> (Diagonal x Horizontal x Verticle)	2/3"	24. 8°×20.0°×15.0°
	1/2"	18. 1°×14.5°×10. 9°
<b>Focusing Range</b>	0.2m-∞	
<b>Object Dimensions</b>	43.5mm X 34.8mm X 26.1mm	
<b>Control</b>	<b>Focus</b>	Manual
	<b>Iris</b>	Manual
<b>Distortion</b>	2/3"	-0.19%@y=5.5mm
	1/2"	-0.17%@y=4.0mm
<b>Back Focal Length(in air)</b>	12.78mm	
<b>Mount</b>	C-mount	
<b>Filter Thread</b>	M37.5×0.5mm	
<b>Working Temperature</b>	-10°C ~ +50°C	
<b>Weight</b>	148.0g	