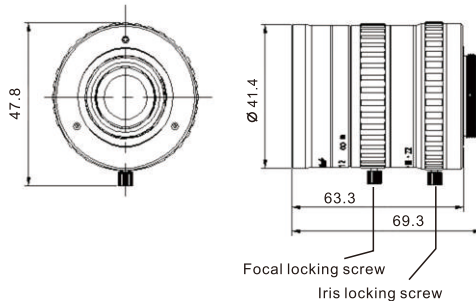




Pomeas 5 Mega Pixels FA/Machine Vision Lens **PMS-16MC5M**

2/3"	5 Mega	MANUAL	C-mount	METAL
Max. Sensor Size	5 Mega Pixels	Manual Iris	C-mount	Metal Material



Unit : mm

1. Support 5 MP 2/3" camera
2. Focus and iris locking screw to ensure stable focusing
3. Low imaging distortion
4. Compact structure, excellent optical performance

Code	PMS-16MC5M	
Resolution	5 MP;160lp/mm (center) 125lp/mm (corner)	
Focal Length	16mm	
Iris Range	F1.6-F22	
Max. Sensor Size	2/3" (8.8mm X 6.6mm ϕ 11mm)	
Field of View (Diagonal x Horizontal x Verticle)	2/3"	38. 0°×30.8°×23.4°
	1/2"	28. 1°× 22.6°×17.1°
Focusing Range	0.2m- ∞	
Object Dimensions	145.6mm X 116.4mm X 87.3mm	
Control	Focus	Manual
	Iris	Manual
Distortion	2/3"	0.07%@y=5.5mm
	1/2"	-0.06%@y=4.0mm
Back Focal Length(in air)	12.36mm	
Mount	C-mount	
Filter Thread	M37.5×0.5mm	
Working Temperature	-10°C ~ +50°C	
Weight	181.0g	